

SPECIALTIES

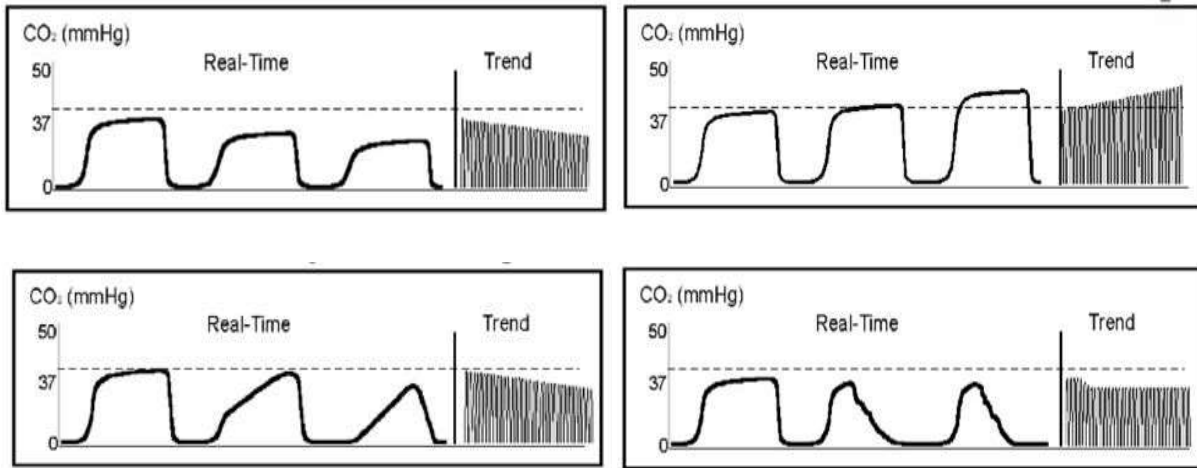
END TIDAL CO₂ MONITORING

Colorimetry

Capnometry

Capnography

END TIDAL CO₂ MONITORING



PULMONARY FUNCTION TESTING

Flows - OLD

Volumes - RLD

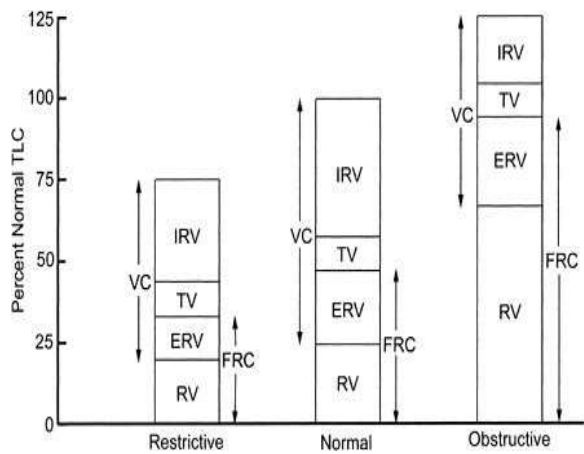
Reversibility

Methacholine challenge

PULMONARY FUNCTION TESTING

- **BOTH** OLD and RLD may present with decreased FVC and FEV₁
- **MUST** assess FEV₁/FVC (FEV₁%) to differentiate between OLD vs RLD.
- OLD = FEV₁% <70%
- RLD = decreased FVC, decreased FEV₁, **BUT** normal FEV₁%

PULMONARY FUNCTION TESTING



Volumes - RLD

1. Helium Dilution Test
2. Nitrogen Washout Test
3. Body Plethysmography

HEMODYNAMICS

SVC/IVC \rightleftarrows RA \rightleftarrows RV \rightleftarrows PA \rightleftarrows PC \rightleftarrows PV \rightleftarrows LA \rightleftarrows LV \rightleftarrows Aorta

1. Excessive peep
2. CHF

CHEST TUBES

Indications

Placement

Troubleshooting

Bubbles in water seal

Bubbles in sx chamber

1 Bottle

2 Bottle

Special Procedures

Bronchoscopy

Central line placement

Needle decompression

V/Q Scan